

ARTICLE CODE

S11 - 12 R - B

S11&S11C Series



Nil:Standard  
B:Plastic Bracket Cover

Nil:Standard  
R:With resistance  
D:With diode

Coil voltage  
12,24 VDC

Model Name  
S11:Standard  
S11C:Mini type

Main Features:

- Plastic and Metals cover all available.
- Contact rated load up to 30A/12VDC
- Fit to standard wiring harnesses socket.
- Application for air condition control,halogen head lamp control horn control,fog lamp control etc.

COIL RATING(at 20°C)

Nominal Voltage (VDC)	Coil Resistance (Ω)(±10%)	Power Consumption(W)	Nominal Current (mA)(±10%)	Pull In Voltage (VDC)	Drop Out Voltage (VDC)	Max. Allowable Voltage (VDC)
12V	100Ω	1.44W	120.0mA	70% MAX	10% MIX	130%
24V	400Ω		60.0mA			

PERFORMANCE(at initial value )

Item	Type	S11	S11C
Contact Resistance		50mΩ	Max.(Initial Value)
Operate Time		15msec Max.	
Release Time		15msec Max.	
Dielectric Strength between Coil & Contact between Contact		1000VAC(1min) 500VAC(1min)	
Insulation Resistance		50MΩ Min.(DC500V)	
Operating Ambient Temperature		-30℃~+85℃	
Humidity		35 to 85% RH	
Vibration Resistance		10G(10~55Hz) (Dual Amplitude:2mm)	
Shock Resistance		10G	
Life Expectancy Mechanically Electrically		10,000,000 ops.Min.(1800 ops./h) 100,000 ops.Min.(1200 ops./h)	
Weight		47g	26g(approx.)

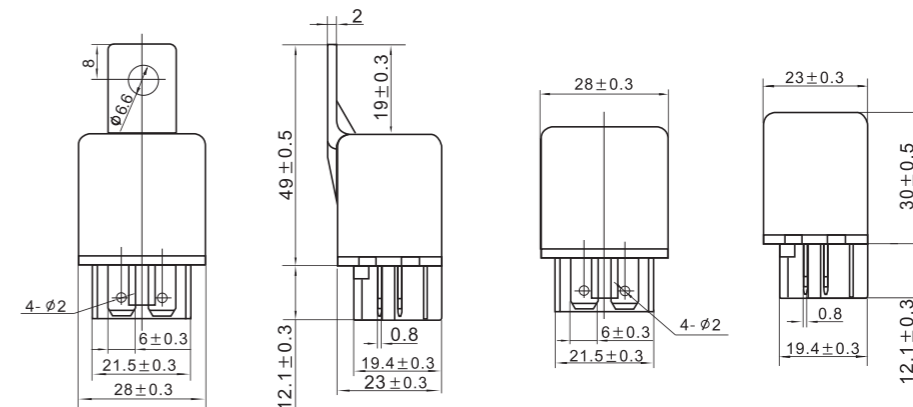
CONTACT RATING

Item	Type	S11	S11C
Rated Carrying Current		30A/DC12V	15A/24VDC
Max. Allowable Current		40A	
Max. Allowable Voltage		32V	
Max. Current(Continual)		30A	
Contact Material		Ag alloy	

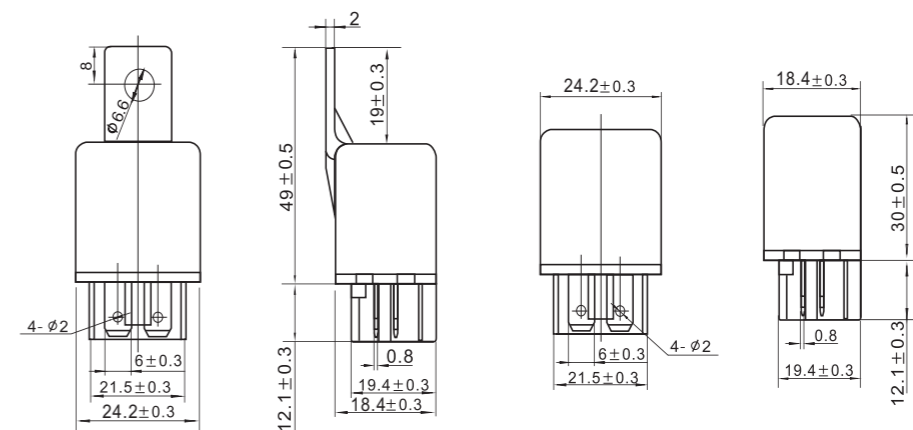
OUTLINE DIMENSION,WIRING DIAGRAM & PC BOARD LAYOUT

Unit: mm

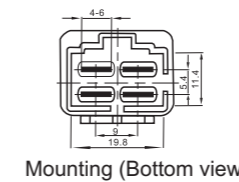
S11



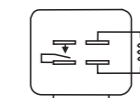
S11C



Dimensions



Mounting (Bottom view)



Wiring diagram (Bottom view)

Remark: 1) In case of no tolerance shown in outline dimension: outline dimension ≤1mm, tolerance should be ±0.2mm; outline dimension >1mm and ≤5mm, tolerance should be ±0.3mm; outline dimension >5mm, tolerance should be ±0.4mm.  
2) The tolerance without indicating for PCB layout is always ±0.1mm.