

ARTICLE CODE

S19-12 L

S19 Series



Nil:0.36W  
L:0.20W

Coil Voltage  
3,5,6,9,12,24,48 VDC

Model Name:S19

Main Features:

- 2pole Relay suitable for single circuit
- Plastic epoxy resin sealed type for washing procedure
- Small size and lightweight can provide high density PCB mounting
- DIL pitch terminal

COIL RATING(at 20°C)

Nominal Voltage (VDC)	Coil Resistance (Ω)(±10%)		Power Consumption (W)	Nominal Current (mA)(±10%)		Pull In Voltage (VDC)	Drop Out Voltage (VDC)	Max. Allowable Voltage (VDC)
	0.20W	0.36W		0.20W	0.36W			
3V	45Ω	25Ω	L:0.20W Nil:0.36W	66.7mA	120.0mA	75% MAX	10% MIX	130%
5V	125Ω	70Ω		40.0mA	71.4mA			
6V	180Ω	100Ω		33.3mA	60.0mA			
9V	405Ω	220Ω		22.2mA	40.9mA			
12V	720Ω	400Ω		16.7mA	30.0mA			
24V	2880Ω	1600Ω		8.6mA	15.0mA			
48V	4000Ω		0.58W	12.0mA				

PERFORMANCE(at initial value )

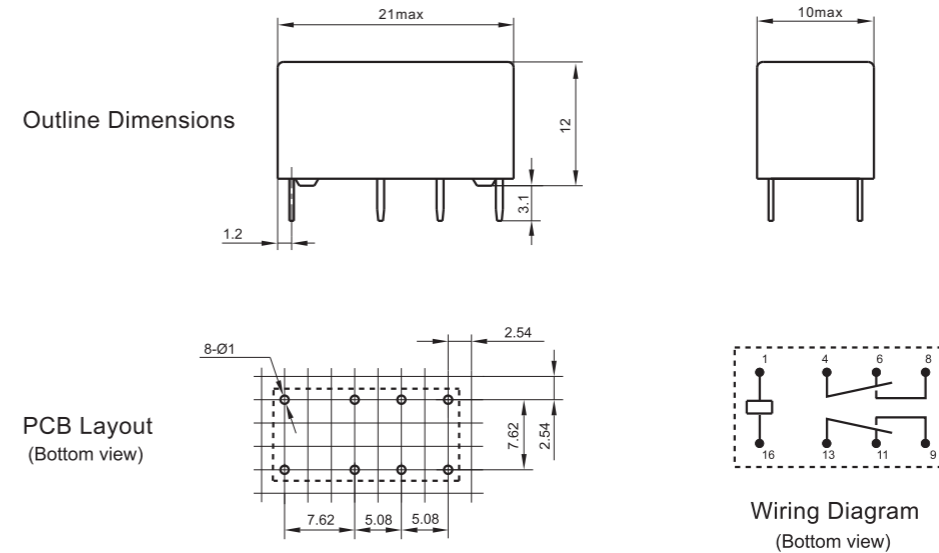
Item	Type	2A
Contact Resistance		100mΩ Max.(Initial Value)
Operate Time		6msec Max.
Release Time		5msec Max.
Dielectric Strength between Coil & Contact between Contact		1000VAC(1min) 500VAC(1min)
Insulation Resistance		100MΩ Min.(DC500V)
Operating Ambient Temperature		-40°C ~+85 °C
Humidity		35 to 85% RH
Vibration Resistance		10G(10~55Hz) (Dual Amplitude:1.5mm)
Shock Resistance		10G
Life Expectancy Mechanically Electrically		10,000,000 ops.Min.(1800 ops./h) 100,000 ops.Min.(1200 ops./h)
Weight		5g(approx.)

CONTACT RATING

Item	Type	2A
Rated Carrying Current		1A/125VAC 2A/30VDC
Max. Allowable Current		2A
Max. Allowable Voltage		125VAC 30VDC
Max. Current(Continual)		2A
Contact Material		Ag alloy

OUTLINE DIMENSION, WIRING DIAGRAM & PC BOARD LAYOUT

Unit: mm



Remark: 1) In case of no tolerance shown in outline dimension: outline dimension ≤1mm, tolerance should be ±0.2mm; outline dimension >1mm and ≤5mm, tolerance should be ±0.3mm; outline dimension >5mm, tolerance should be ±0.4mm.  
2) The tolerance without indicating for PCB layout is always ±0.1mm.  
3) The width of the gridding is 2.54mm.

CHARACTERISTIC CURVES

