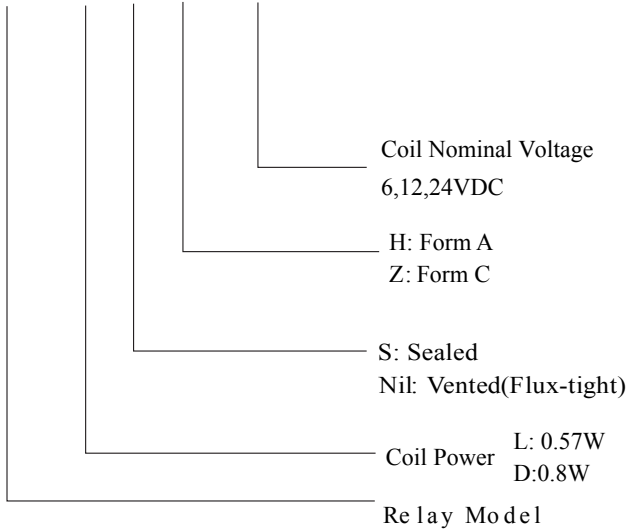


ARTICLE CODE
S2308 D-S-H / 12VDC


13.2X12X9.8



- 30A 13.5VDC switching rating
- 40A inrush at 13.5VDC
- Smallest power relay
- 1 Form A and 1 FormC arrangements in single and dual relay packages
- For Automotive Applications
- Conform to RoHS,ELV directive

COIL RATING (at 20°C)

Nominal Voltage (VDC)	6	12	24	0.57W
Coil Resistance ($\Omega \pm 10\%$)	63	254	1010	
Rated Current (mA)	95	47.5	23.7	
Max Operate Voltage (VDC)	3.45	6.9	13.8	
Min Release Voltage (VDC)	0.6	1.2	2.4	
Nominal Voltage (VDC)	6	12	24	0.8W
Coil Resistance ($\Omega \pm 10\%$)	45	180	720	
Rated Current (mA)	133.3	66.7	33.3	
Max Operate Voltage (VDC)	3.45	6.9	13.8	
Min Release Voltage (VDC)	0.6	1.2	2.4	
Max Applicable Voltage	70°C时额定电压的130%，23°C时额定电压的170%			

CONTACT RATING

Contact Ratings	Load Type		Rated Carrying Current		Frequency ops/min	Duty Cycle	Life Expectancy
			NO	NC			
	Resistive Load		20	---	15	0.5	3×10^5
	Wiper reserve L=1.0mH	Make	25	25	15	0.5	3×10^5
		Break	5	5			
	Motor reserve blocked L=0.77mH		20A Inrush		15	0.5	1×10^5
	Flasher Load		$3 \times 21W$	---	80	0.5	2×10^6
	Lamp	Inrush	100	---	6	1/6	1×10^5
		Steady state	10	---			

Contact Form	1H/1Z
Contact Material	Silver Alloy
Load	Resistive load(COS Φ=1) Cut 13.5VDC
Minimum load	0.5A 12VDC
Max Switching Current	40A
Max Switching Power	420W
Contact Resistance	100m Ω Max at 6VDC 1A
Electrical Life Expectancy	See "Contact Data" Table
Mechanical	10, 000, 000 Operations(at300Operations/minute)

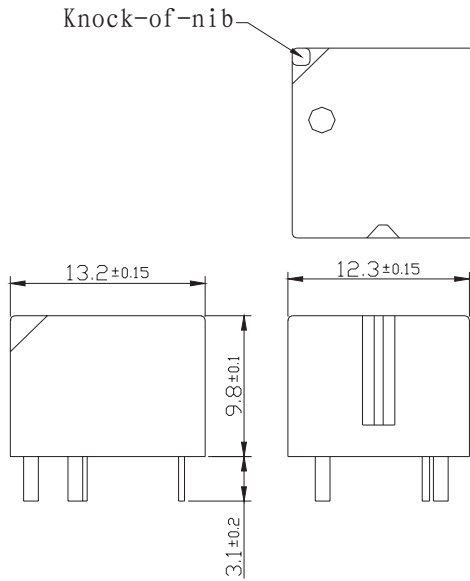
PERFORMANCE (at initial value)

Insulation Resistance	100M Ω Min at 500VDC
Dielectric Strength Between Open Contacts	500VAC(for one minute)
Between Contacts and coil	500VAC(for one minute)
Operate Time	4ms
Release Time	2ms
Temperature Range	-40°C to +105°C
Shock Resistance	6 msec up to 30g (No change in the switching state > 10 μ sec)
Vibration Resistance	10-500Hz, 6g (No change in the switching state > 10 μ sec)
Max. switching frequency	Mechanical: 18,000 operations/hr
Humidity	20-50%
Weight	Approx 4g

OUTLINE DIMENSION, WIRING DIAGRAM & PC BOARD LAYOUT

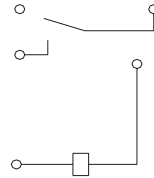
Unit: mm

Outline Dimensions-Single Relay

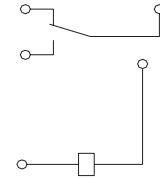


Wiring Diagrams-Single Relay(Bottom Views)

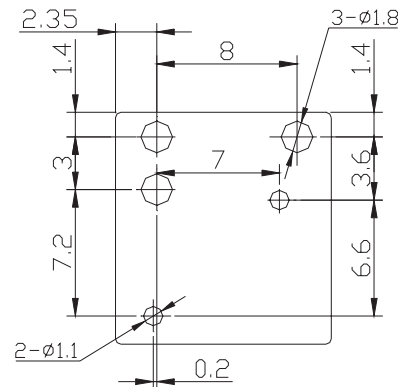
1 Form A



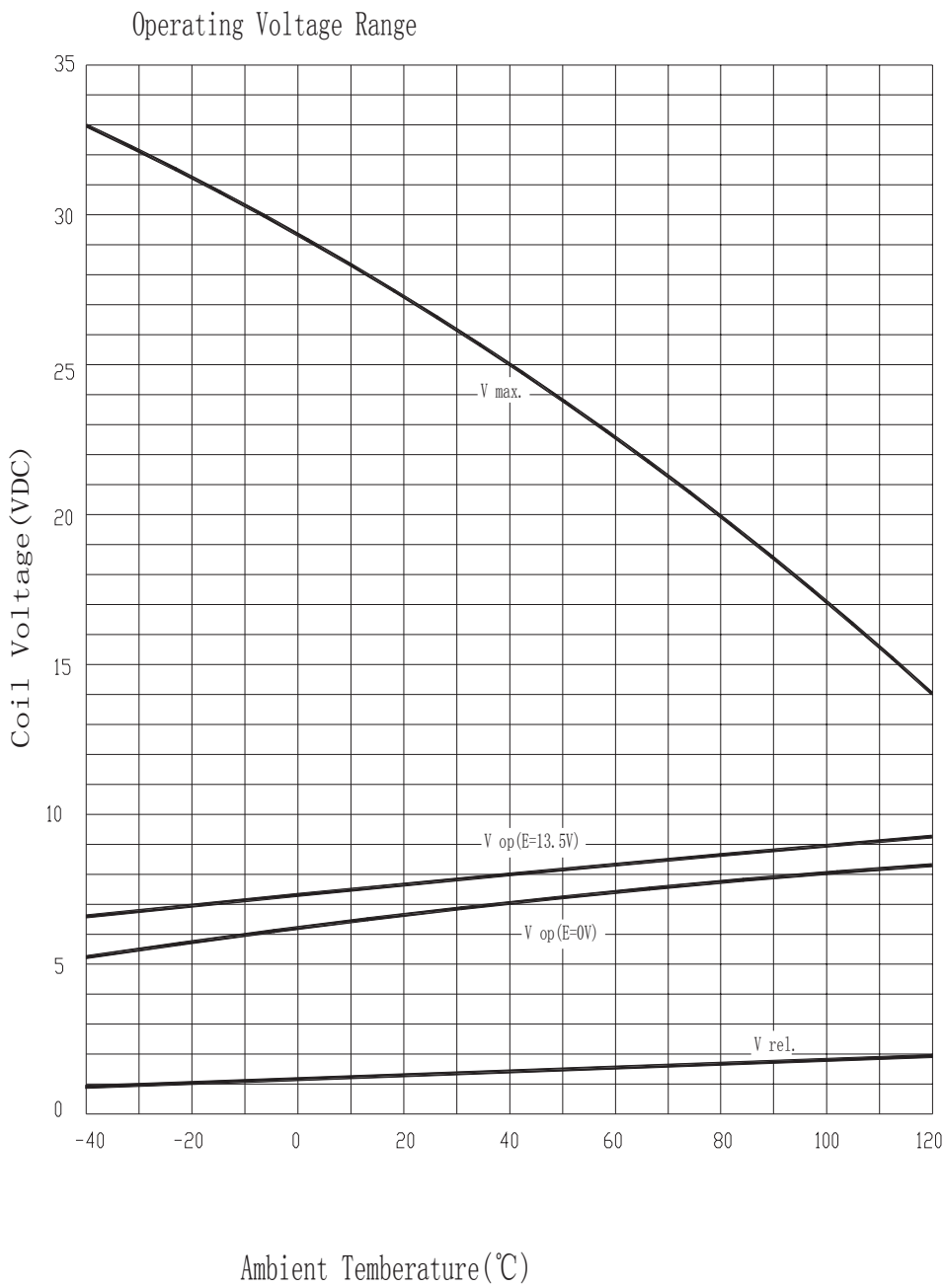
1 Form C



Suggested PC Board Layout-Single Relay(Bottom View)



CHARACTERISTIC CURVES



Does not take into account the temperature rise due to the contact current

V_{op}=Operation voltage

E=Pre \square Generation