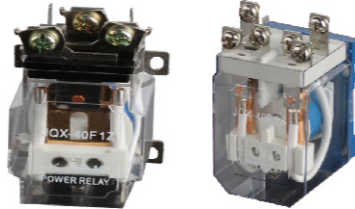


ARTICLE CODE
S25 2C DC12V

S25(JQX-40F) Series



Coil Voltage
6~110VDC
6~220VAC

Contact Ratings
1C,1A,1B,2C,2A,2B

Model Name:S25

Main Features:
 • With open type,dust-proof cover type.
 • Screw terminal fixed mounting.

PERFORMANCE(at initial value)

Item	Type	1C,1A,1B	2C,2A,2B
Contact Resistance		100mΩ Max.(Initial Value)	
Operate Time		25msec Max.	
Release Time		15msec Max.	
Pull In Voltage(VDC)		DC:75%Max,AC:80%Max	
Drop Out Voltage(VDC)		DC:10%Max,AC:30%Max	
Max. Allowable Voltage(VDC)		110%Max	
Coil Nominal Voltage		DC:6V,9V,12V,24V,36V,48V,110V,220V AC:6V,9V,12V,24V,36V,48V,110V,220V	
Power Consumption(W)		DC:2.0W AC:6.5VA	
Dielectric Strength between Coil & Contact between Contact between Contact		2500VAC (1min) 1500VAC (1min) 1500VAC (1min)	
Insulation Resistance		1000MΩ Min.(DC500V)	
Operating Ambient Temperature		-40℃ ~+70℃	
Humidity		35 to 80% RH	
Rated Carrying Current		50A/250VAC 50A/30VDC	40A/250VAC 40A/30VDC
Vibration Resistance		10G(10~55Hz) (Dual Amplitude:1.0mm)	
Shock Resistance		10G	
Life Expectancy Mechanically Electrically		10,000,000 ops.Min.(18000 ops./h) 100,000 ops.Min.(1800 ops./h)	
Weight		160g(approx.)	

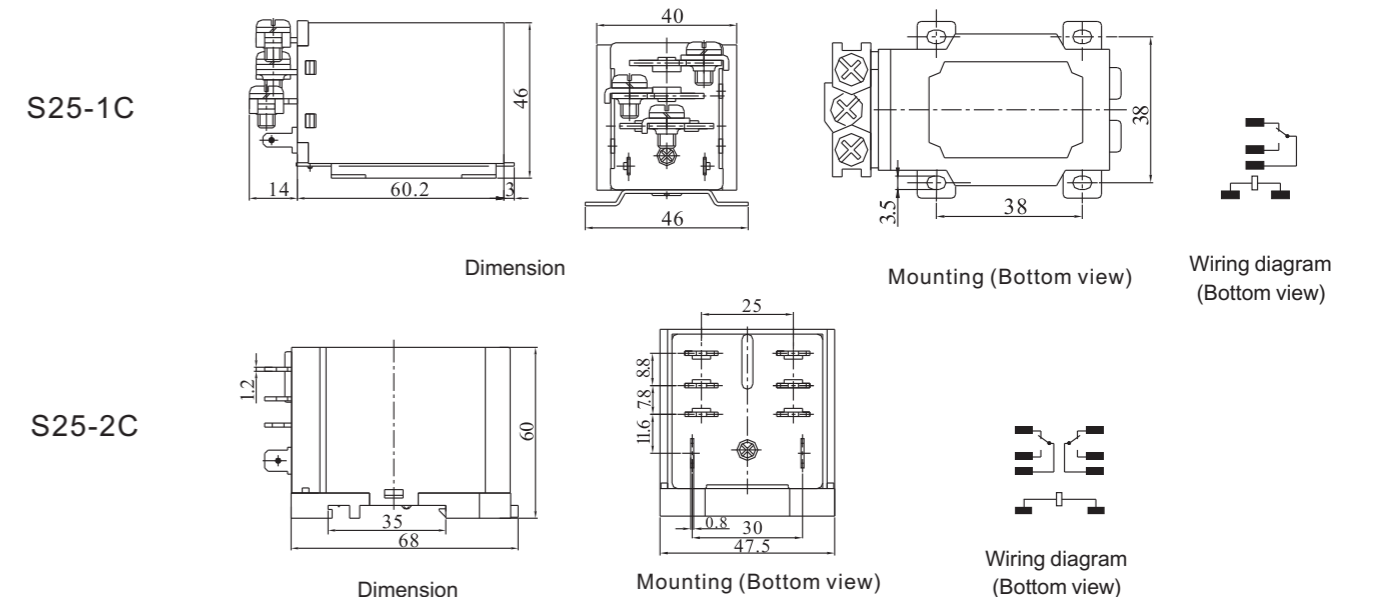
COIL RATING(at 20℃)

	Nominal Voltage (VDC)	Coil Resistance (Ω)(±10%)	Power Consumption(W)	Nominal Current (mA)(±10%)	Pull In Voltage (VDC)	Drop Out Voltage (VDC)	Max. Allowable Voltage (VDC)
DC	6V	20Ω	2.0W	300.0mA	75% MAX	10% MIX	110%
	12V	45Ω		266.7mA			
	24V	320Ω		75.0mA			
	48V	1280Ω		37.5mA			
	60V	2800Ω		21.4mA			
	110V	9650Ω		11.4mA			

	Nominal Voltage (VAC)	Coil Resistance (Ω)(±10%)	Power Consumption(VA)	Pull In Voltage (VAC)	Drop Out Voltage (VAC)	Max. Allowable Voltage (VAC)
AC	6V	2.0Ω	6.5VA	80% MAX	30% MIX	110%
	9V	4.4Ω				
	12V	7.8Ω				
	18V	17.5Ω				
	24V	31.0Ω				
	48V	124Ω				
	110V	650Ω				
220V	2600Ω					

OUTLINE DIMENSION,WIRING DIAGRAM & PC BOARD LAYOUT

Unit: mm



Remark: 1) In case of no tolerance shown in outline dimension: outline dimension ≤1mm, tolerance should be ±0.2mm; outline dimension >1mm and ≤5mm, tolerance should be ±0.3mm; outline dimension >5mm, tolerance should be ±0.4mm.
 2) The tolerance without indicating for PCB layout is always ±0.1mm.

WIRING DIAGRAMS(Bottom View)

